

# VEHICLE CHARACTERISTICS

NOMENCLATURE: FIFTH-WHEEL TACTICAL TRAILER (FTT)

DATE: JUL 2007



## DESIGNATIONS

## VEHICLE DATA (Subject to Change)

### General

Maximum Vehicle Weight.....7000 lb (3175 kg)  
Curb Weight.....1950 lb (885 kg)  
Maximum Payload Capacity.....5050 lb (2290 kg)  
Hull.....Unitized body construction using aircraft grade aluminum and HSLA steel

### Dimensions

Overall Length..... 197.0 inches (500 cm)  
Overall Width..... 85.0 inches (216 cm)  
Overall Height..... 82.0 inches (208 cm)  
Track Width..... 72.5 inches (184 cm)  
Drawbar Length ..... 152.6 inches (388 cm) (from axle center to kingpin center)  
Kingpin Height..... 60.0 inches (152 cm) (empty)  
Deck Height..... 36.0 inches (86 cm) (empty...loaded deck height will vary by system configuration)  
Ground Clearance..... 16.2 inches (41 cm)

### Running Gear

Suspension Type..... Fully independent trailing arm air-ride suspension featuring a field-replaceable wheel spindle  
Spring Media..... Progressive rate commercial Class 8 truck air bags, adjustable  
Shock Absorbers..... Telescopic, direct acting, one per wheel  
Wheels..... 16.5 X 8.25, two piece steel, HMMWV compatible, 8 on 6.5 inch bolt pattern  
Tires..... 37X12.50R16.5 Goodyear Military Wrangler M/T, with 30-mile runflat inserts, HMMWV compatible  
Brakes..... Proprietary microprocessor controlled electric-over-hydraulic brake actuator specifically designed for 24V military systems with blackout capability. 12 inch x 2 inch free backing hydraulic drum brakes with automatic breakaway actuation. Independent lever-operated left and right side mechanical parking brakes.  
Electrical System..... 24 Volt DC sealed lighting system with blackout convoy lights, 12 pin connector plug mates with STABLE 5<sup>th</sup> Wheel System. Onboard battery for brake controller actuation and breakaway capability.

### Performance

Max Speed (Primary Roads)..... TBD  
Max Speed (Secondary Roads)..... TBD  
Max Speed (Off Road)..... TBD  
Departure Angle..... 40 degrees  
Turning Angle..... 90 degrees  
Fording..... Limited only by customer configuration

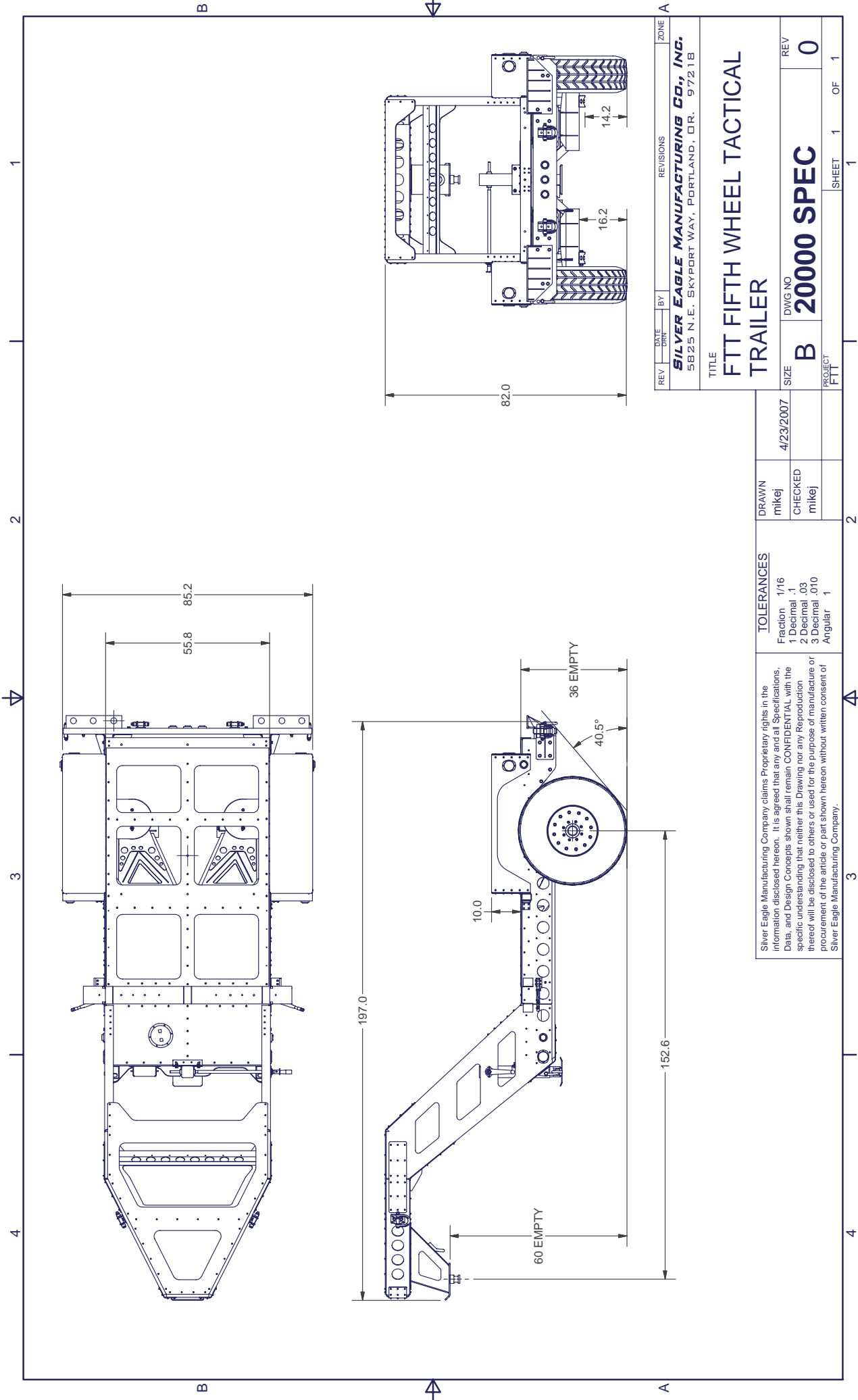
## SILVER EAGLE

MANUFACTURING COMPANY

5825 N.E. Skyport Way

Portland, OR 97218-1249

Phone: (800) 547-6792 Fax: (503) 335-2171



REV	DATE	BY	REVISIONS	ZONE
				A

**SILVER EAGLE MANUFACTURING CO., INC.**  
 5825 N.E. SKYPORT WAY, PORTLAND, OR. 97218

TITLE  
**FTT FIFTH WHEEL TACTICAL TRAILER**

SIZE	DWG NO	REV
<b>B</b>	<b>20000 SPEC</b>	<b>0</b>

PROJECT  
 FTT

SHEET 1 OF 1

TOLERANCES	DRAWN
Fraction 1/16	mikej
1 Decimal .1	CHECKED
2 Decimal .03	mikej
3 Decimal .010	
Angular 1	

Silver Eagle Manufacturing Company claims Proprietary rights in the information disclosed herein. It is agreed that any and all Specifications, Data, and Design Concepts shown shall remain CONFIDENTIAL with the specific understanding that neither this Drawing nor any Reproduction thereof will be disclosed to others or used for the purpose of manufacture or procurement of the article or part shown herein without written consent of Silver Eagle Manufacturing Company.

# VEHICLE CHARACTERISTICS

NOMENCLATURE: COMMERCIAL LIGHT TACTICAL TRAILER  
CLTT-F FLATDECK TRAILER

DATE: Mar 2003



## DESIGNATIONS

## VEHICLE DATA

**TYPE CLASSIFIED: STANDARD**

### General

Maximum Vehicle Weight.....4200 lb (1905 kg)  
Curb Weight.....1280 lb (580 kg)  
Maximum Payload Capacity.... 2920 lb (1325 kg)  
Hull..... Unitized body construction using aircraft grade aluminum and chromoly steel

### Dimensions

Overall Length..... 132 inches (335cm)  
Overall Width..... 85.6 inches (217 cm)  
Overall Height..... 45.5 inches (116 cm)  
Track Width..... 72.5 inches (184 cm)  
Drawbar Length ..... 93.2 inches (237 cm)  
(from axle center to eye center)  
Drawbar Eye Height..... 29.5 inches (75 cm)  
Deck Height..... 34.5 inches (88 cm)  
Ground Clearance (Laden)..... 16 inches (41 cm)

### Running Gear

Suspension Type..... Fully independent progressive rate trailing arm suspension  
Axle..... Tubular steel  
Spring Media..... Progressive rate torselastic rubber chords  
Shock Absorbers..... Telescopic, direct acting, one per wheel, HMMWV compatible  
Wheels..... 16.5 X 8.25, two piece steel, HMMWV compatible, 8 on 6.5 inch bolt pattern  
Tires..... 37X12.50R16.5 Goodyear Wrangler M/T, with 30-mile runflat inserts, HMMWV compatible  
Brakes..... 12 inch x 2 inch free backing hydraulic surge brakes with automatic breakaway actuation. Independent lever-operated left and right side mechanical parking brakes.  
Electrical System..... 24 Volt DC sealed lighting system with blackout convoy lights, 12 pin connector plug mates with HMMWV

### Performance

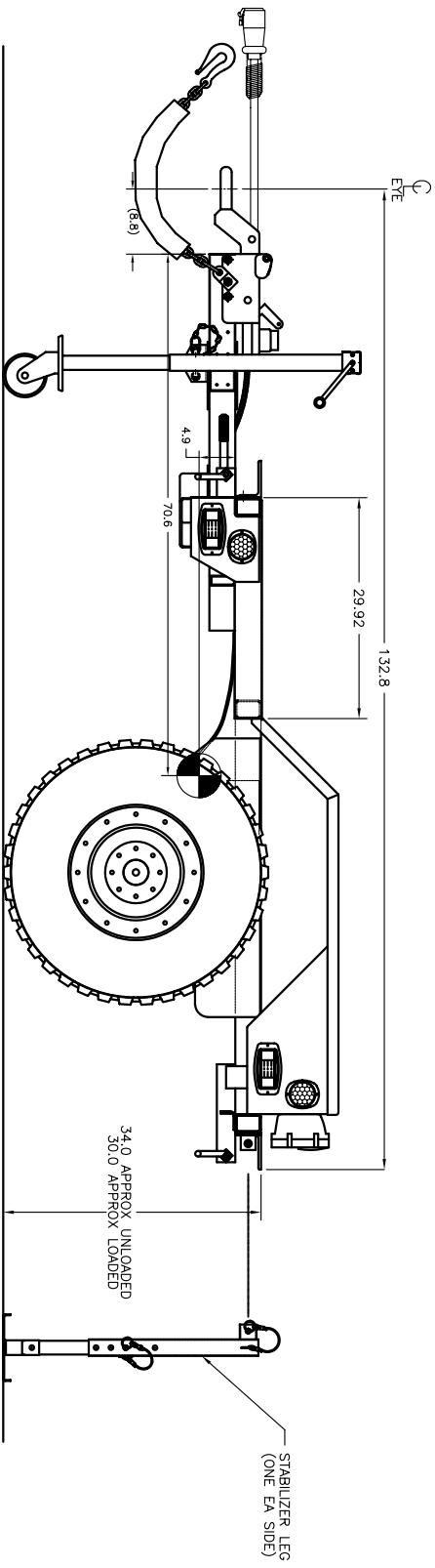
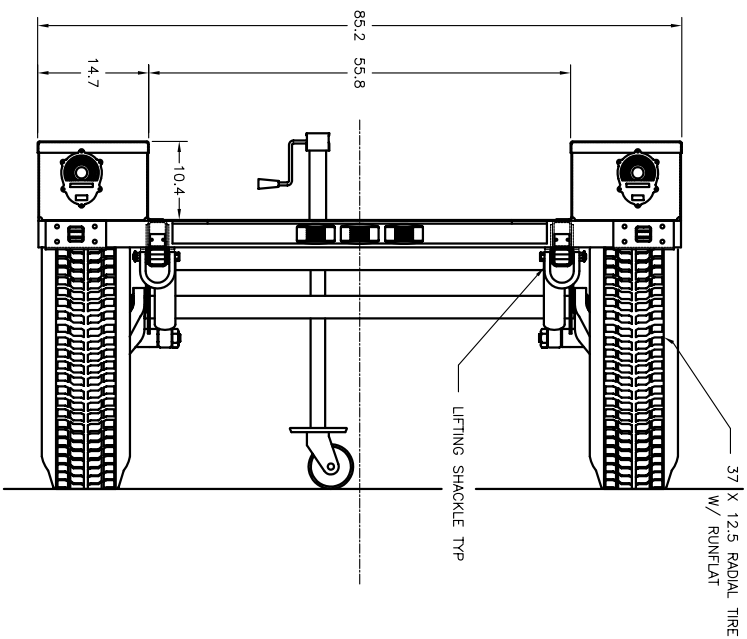
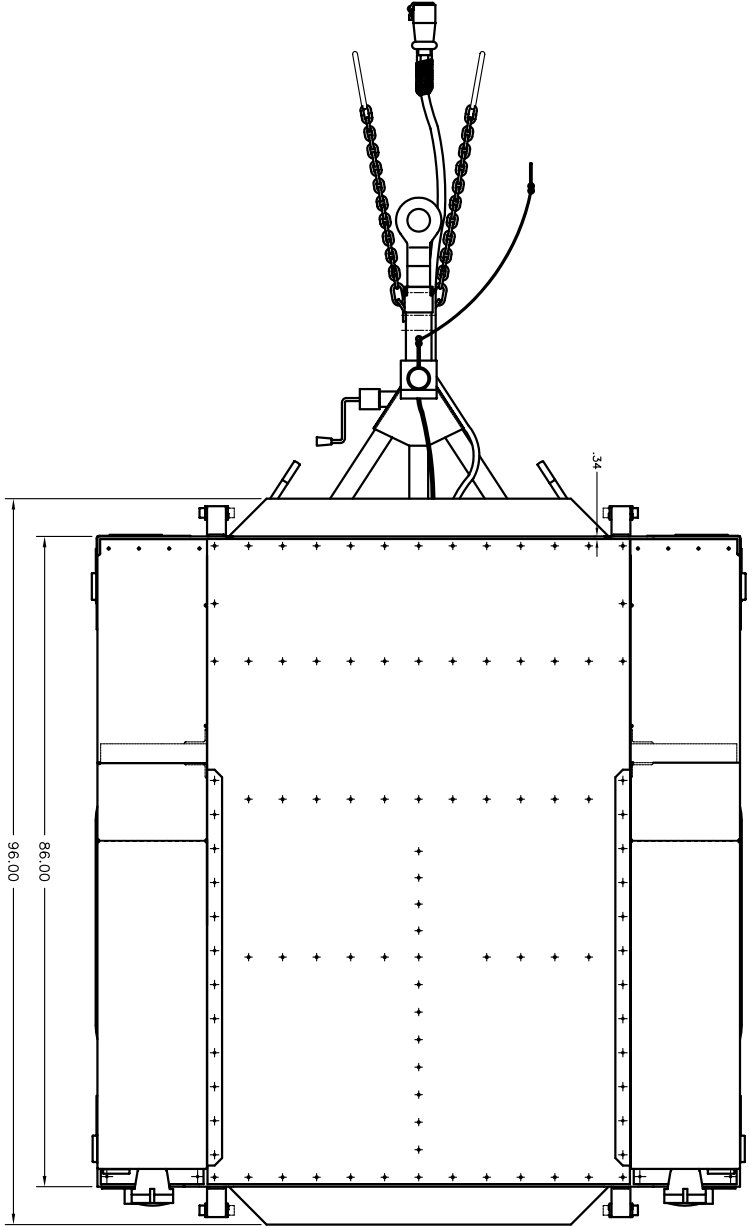
Max Speed (Primary Roads).....55 mph (88 kph )  
Max Speed (Secondary Roads).....35 mph (56 kph)  
Max Speed (Off Road).....20 mph (32 kph)  
Departure Angle..... 39 degrees  
Turning Angle.....80 degrees  
Fording.....Limited only by customer configuration

## SILVER EAGLE

MANUFACTURING COMPANY

5825 N.E. Skyport Way  
Portland, OR 97218-1249

Phone: (800) 547-6792 Fax: (503) 335-2171



# VEHICLE CHARACTERISTICS

NOMENCLATURE: LIGHT TACTICAL TRAILER  
LTT-FE FLATDECK EXTENDED TRAILER

DATE: May 2006



## DESIGNATIONS

## VEHICLE DATA

### General

Maximum Vehicle Weight.....4200 lb (1905 kg)  
Curb Weight.....1350 lb (612 kg)  
Maximum Payload Capacity.... 2850 lb (1293 kg)  
Hull..... Unitized body construction using aircraft grade aluminum and chromoly steel

### Dimensions

Overall Length..... 167 inches (424 cm)  
Overall Width..... 86.0 inches (217 cm)  
Overall Height..... 45.5 inches (116 cm)  
Track Width..... 72.5 inches (184 cm)  
Drawbar Length ..... 105.0 inches (267 cm)  
(from axle center to eye center)  
Drawbar Eye Height..... 29.5 inches (75 cm)  
Deck Height..... 34.5 inches (88 cm)  
Ground Clearance (Laden)..... 16 inches (41 cm) Minimum

### Running Gear

Suspension Type..... Fully independent progressive rate trailing arm suspension  
Axle..... Tubular steel  
Spring Media..... Progressive rate torselastic rubber chords  
Shock Absorbers..... Telescopic, direct acting, one per wheel, HMMWV compatible  
Wheels..... 16.5 X 8.25, two piece steel, HMMWV compatible, 8 on 6.5 inch bolt pattern  
Tires..... 37X12.50R16.5 Goodyear Wrangler M/T, with 30-mile runflat inserts, HMMWV compatible  
Brakes..... 12 inch x 2 inch free backing hydraulic surge brakes with automatic breakaway actuation. Independent lever-operated left and right side mechanical parking brakes.  
Electrical System..... 24 Volt DC sealed lighting system with blackout convoy lights, 12 pin connector plug mates with HMMWV

### Performance

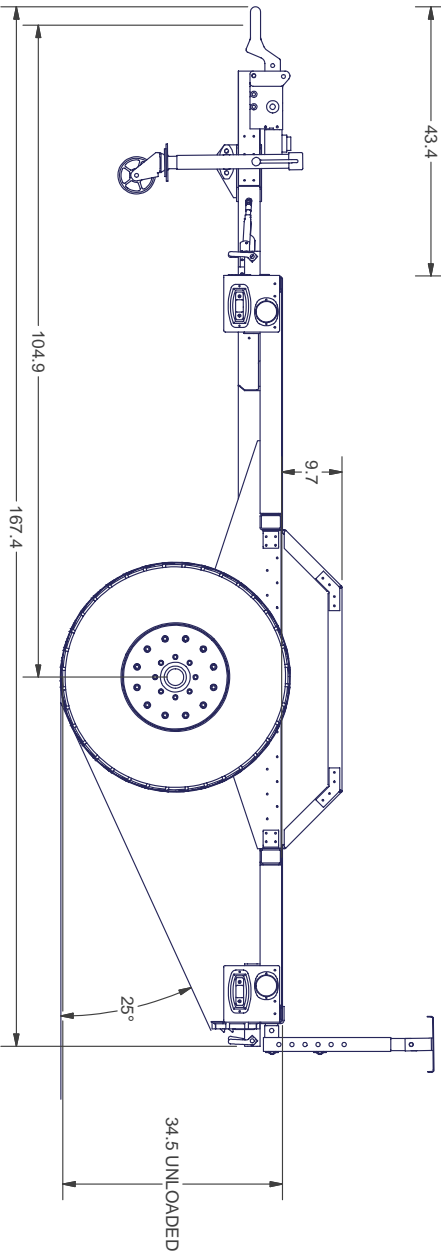
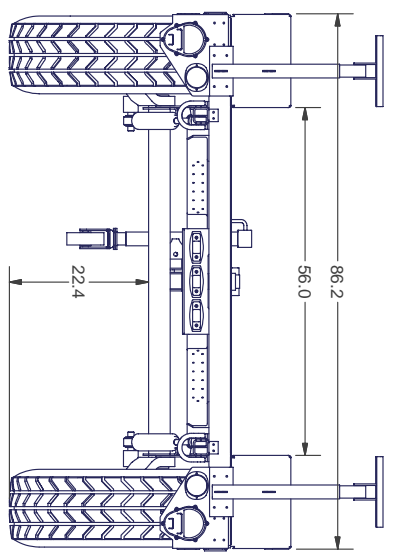
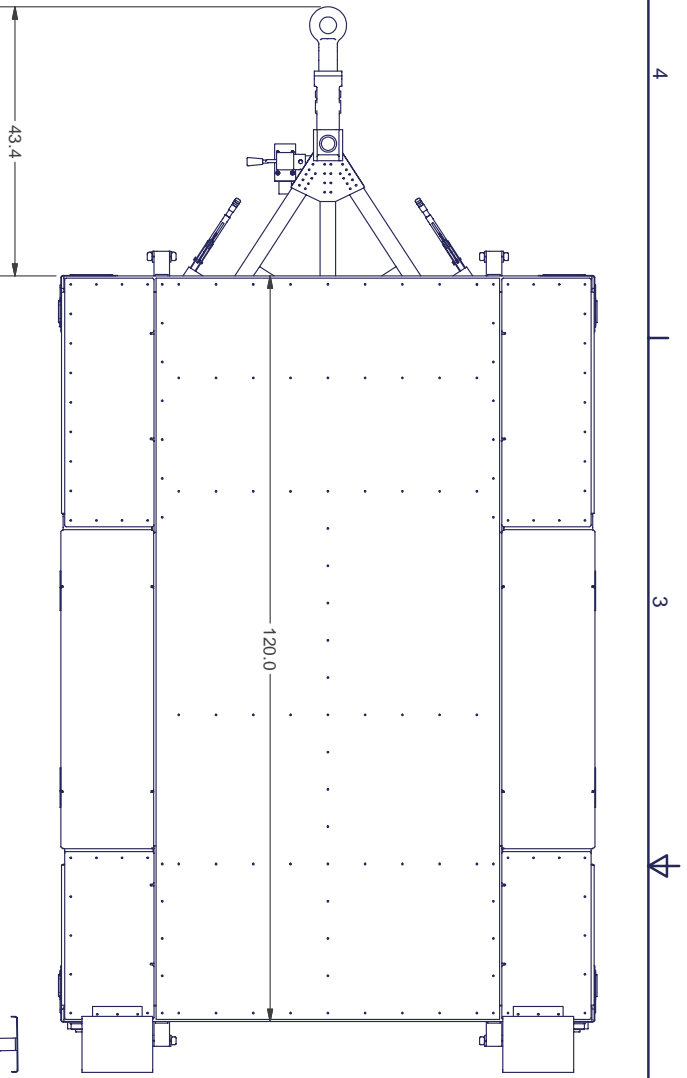
Max Speed (Primary Roads).....55 mph (88 kph )  
Max Speed (Secondary Roads).....35 mph (56 kph)  
Max Speed (Off Road).....20 mph (32 kph)  
Departure Angle..... 25 degrees  
Turning Angle.....80 degrees  
Fording.....Limited only by customer configuration

## SILVER EAGLE

MANUFACTURING COMPANY

5825 N.E. Skyport Way  
Portland, OR 97218-1249

Phone: (800) 547-6792 Fax: (503) 335-2171



Silver Eagle Manufacturing Company claims Proprietary rights in the information disclosed hereon. It is agreed that any and all Specifications, Data, and Design Concepts shown shall remain CONFIDENTIAL with the specific understanding that neither this Drawing nor any Reproduction thereof will be disclosed to others or used for the purpose of manufacture or procurement of the article or part shown hereon without written consent of Silver Eagle Manufacturing Company.

TOLERANCES		DRAWN	DATE
Fraction	1/16	JoeF	8/3/2004
1 Decimal	.1	CHECKED	
2 Decimal	.03	JoeF	
3 Decimal	.010		
Angular	1		

REV	DATE	BY	REVISIONS	ZONE
DRN				

**SILVER EAGLE MANUFACTURING CO., INC.**  
5825 N.E. SKYPORT WAY, PORTLAND, OR. 97218

TITLE  
**TRAILER, LTT-FE, STD  
FLATDECK**

SIZE	DWG NO	REV
<b>B</b>	<b>LTT-FE Standard</b>	<b>0</b>

PROJECT SHEET 4 OF 4

# VEHICLE CHARACTERISTICS

NOMENCLATURE: LIGHT TACTICAL TRAILER

DATE: May 2002

LTT-H

M1102

NSN 2330-01-387-5426



## DESIGNATIONS

## VEHICLE DATA

**TYPE CLASSIFIED: STANDARD**

### General

Maximum Vehicle Weight.....4200 lb (1905 kg)  
Curb Weight.....1460 lb ( 662 kg)  
Maximum Payload Capacity.... 2740 lb (1243 kg)  
Hull..... Unitized body construction using aircraft grade aluminum and chromoly steel

### Dimensions

Overall Length..... 132 inches (335cm)  
Overall Width..... 85.6 inches (217 cm)  
Overall Height..... 52.5 inches (133 cm)  
Track Width..... 72.5 inches (184 cm)  
Drawbar Length ..... 93.2 inches (237 cm)  
(from axle center to eye center)  
Drawbar Eye Height..... 29.5 inches (75 cm)  
Deck Height..... 34.5 inches (88 cm)  
Ground Clearance (Laden)..... 16 inches (41 cm)

### Running Gear

Suspension Type..... Fully independent progressive rate trailing arm suspension  
Axle..... Tubular steel  
Spring Media..... Progressive rate torselastic rubber chords  
Shock Absorbers..... Telescopic, direct acting, one per wheel, HMMWV compatible  
Wheels..... 16.5 X 8.25, two piece steel, HMMWV compatible, 8 on 6.5 inch bolt pattern  
Tires..... 37X12.50R16.5 Goodyear Wrangler M/T, with 30-mile runflat inserts, HMMWV compatible  
Brakes..... 12 inch x 2 inch free backing hydraulic surge brakes with automatic breakaway actuation. Independent lever-operated left and right side mechanical parking brakes.  
Electrical System..... 24 Volt DC sealed lighting system with blackout convoy lights, 12 pin connector plug mates with HMMWV

### Performance

Max Speed (Primary Roads).....55 mph (88 kph )  
Max Speed (Secondary Roads).....35 mph (56 kph)  
Max Speed (Off Road).....20 mph (32 kph)  
Departure Angle..... 39 degrees  
Turning Angle.....80 degrees  
Fording.....60 inches (152 cm)

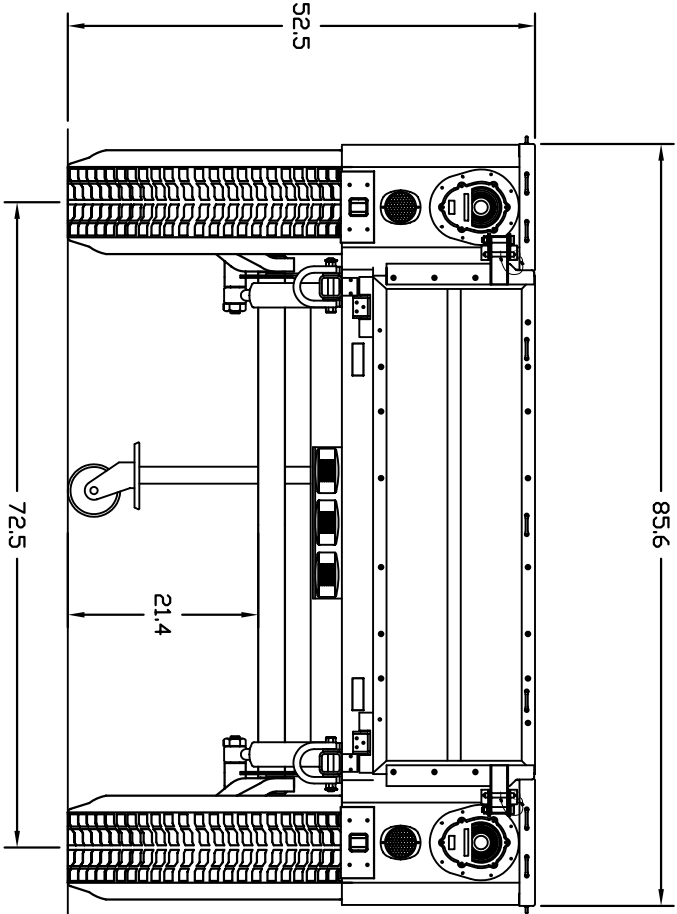
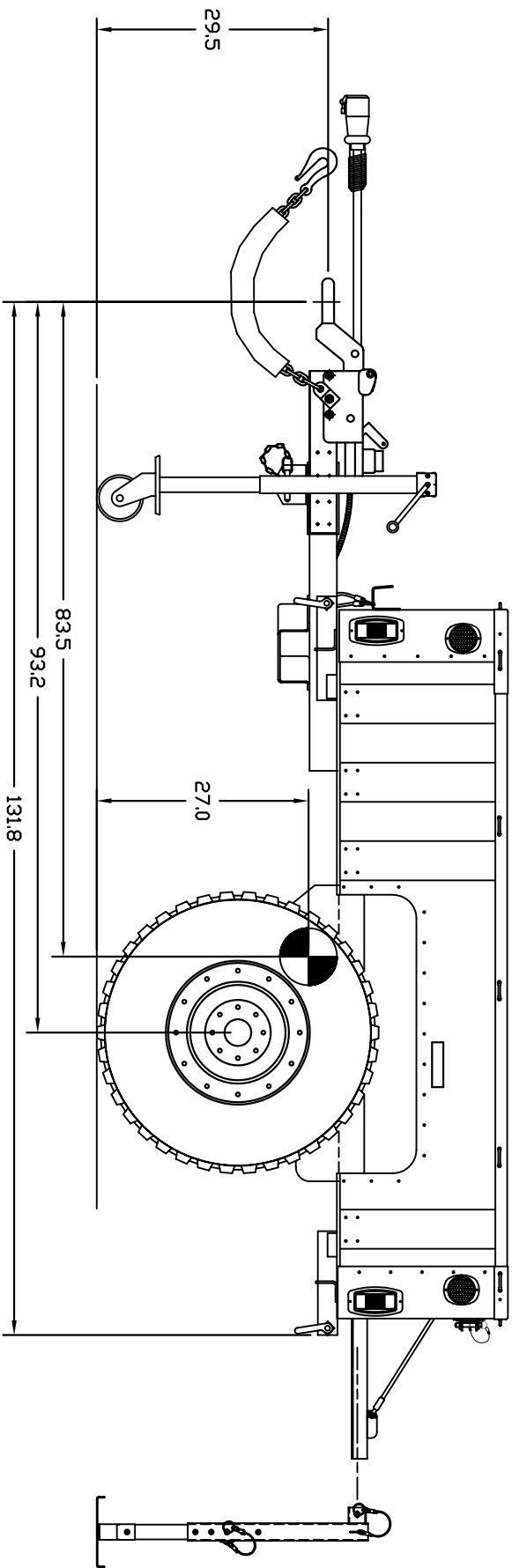
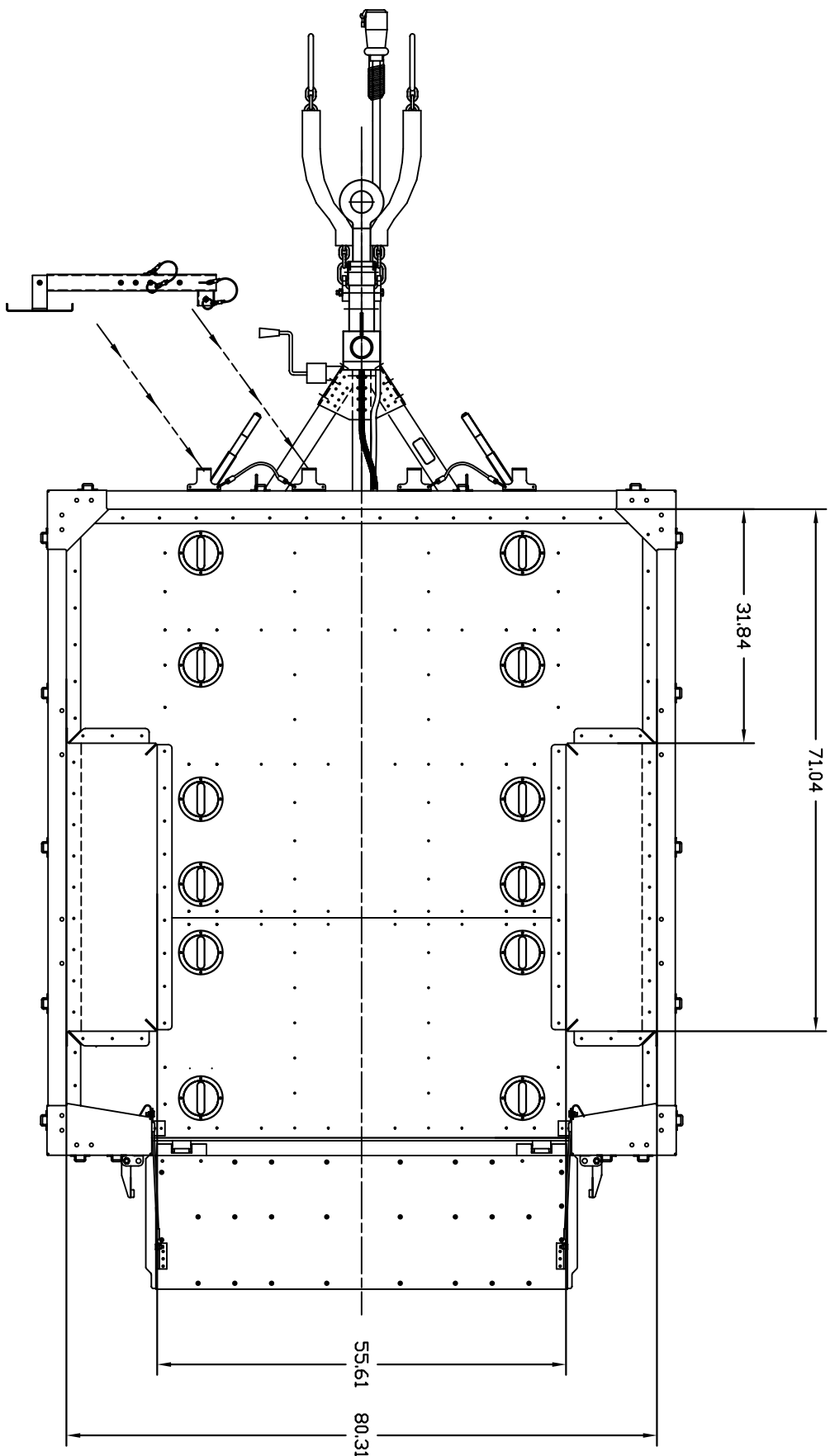
## SILVER EAGLE

MANUFACTURING COMPANY

5825 N.E. Skyport Way

Portland, OR 97218-1249

Phone: (800) 547-6792 Fax: (503) 335-2171





# VEHICLE CHARACTERISTICS

NOMENCLATURE: LIGHT TACTICAL TRAILER  
LTT-L M1101 NSN 2330-01-387-5443

DATE: May 2002



## DESIGNATIONS

## VEHICLE DATA

**TYPE CLASSIFIED: STANDARD**

### General

Maximum Vehicle Weight.....3400 lb (1542 kg)  
Curb Weight.....1460 lb ( 662 kg)  
Maximum Payload Capacity.... 1940 lb (880 kg)  
Hull..... Unitized body construction using aircraft grade aluminum and chromoly steel

### Dimensions

Overall Length..... 132 inches (335cm)  
Overall Width..... 85.6 inches (217 cm)  
Overall Height..... 52.5 inches (133 cm)  
Track Width..... 72.5 inches (184 cm)  
Drawbar Length ..... 93.2 inches (237 cm)  
(from axle center to eye center)  
Drawbar Eye Height..... 29.5 inches (75 cm)  
Deck Height..... 34.5 inches (88 cm)  
Ground Clearance (Laden)..... 16 inches (41 cm)

### Running Gear

Suspension Type..... Fully independent progressive rate trailing arm suspension  
Axle..... Tubular steel  
Spring Media..... Progressive rate torselastic rubber chords  
Shock Absorbers..... Telescopic, direct acting, one per wheel, HMMWV compatible  
Wheels..... 16.5 X 8.25, two piece steel, HMMWV compatible, 8 on 6.5 inch bolt pattern  
Tires..... 37X12.50R16.5 Goodyear Wrangler M/T, with 30-mile runflat inserts, HMMWV compatible  
Brakes..... 12 inch x 2 inch free backing hydraulic surge brakes with automatic breakaway actuation. Independent lever-operated left and right side mechanical parking brakes.  
Electrical System..... 24 Volt DC sealed lighting system with blackout convoy lights, 12 pin connector plug mates with HMMWV

### Performance

Max Speed (Primary Roads).....55 mph (88 kph )  
Max Speed (Secondary Roads).....35 mph (56 kph)  
Max Speed (Off Road).....20 mph (32 kph)  
Departure Angle..... 39 degrees  
Turning Angle.....80 degrees  
Fording.....60 inches (152 cm)

## SILVER EAGLE

MANUFACTURING COMPANY

5825 N.E. Skyport Way

Portland, OR 97218-1249

Phone: (800) 547-6792 Fax: (503) 335-2171

